

Partial translation of JP-A-2000-10949

[0033]

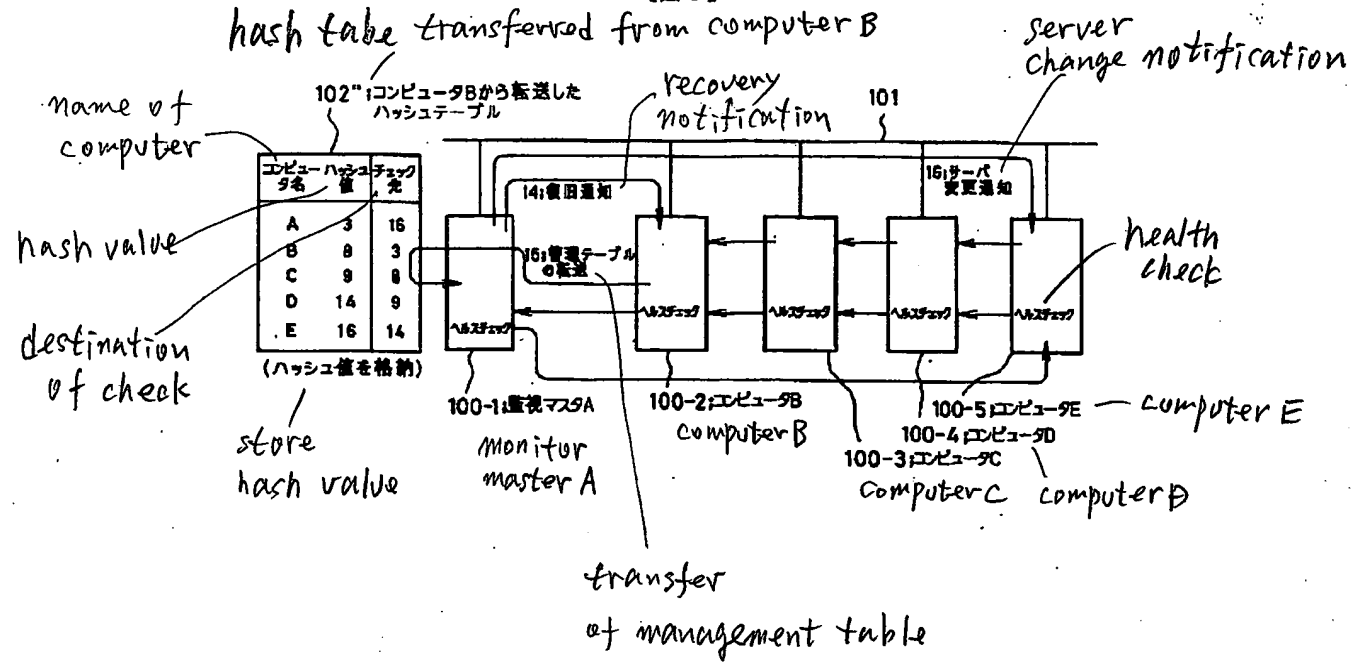
Next, when monitor master A has recovered, as shown in Fig.8, at first, recovery notification 14 of the monitor master is notified to a computer B which took over a management table before failure.

[0034]

From the computer B, a latest management hash table is received (15), change notification 16 of monitor master is notified. A changing instruction is issued to the monitor master B to let the monitor master B execute health check for the monitor master A. The monitor master A itself starts health check for a computer which corresponds to a destination of health check executed by the computer B.

Fig. 8

【図8】



PATENT ABSTRACTS OF JAPAN

(11)Publication number : 2000-010949
(43)Date of publication of application : 14.01.2000

(51)Int.Cl. G06F 15/177
G06F 11/30
G06F 13/00

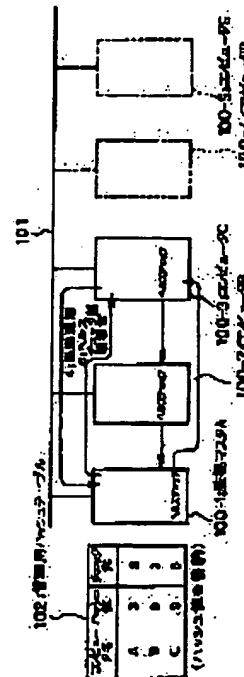
(21)Application number : 10-173178 (71)Applicant : NEC CORP
(22)Date of filing : 19.06.1998 (72)Inventor : SAKAKIBARA TAKEO

(54) RELAY TYPE DECENTRALIZED HEALTH CHECK CONTROL SYSTEM AND METHOD

(57)Abstract:

PROBLEM TO BE SOLVED: To prevent the load on a monitor computer from increasing even when computers connected to a network increase in number by decentralizing a transmitting process for a health check control message to plural computers and using only one check machine, and sending only a notice message to a monitor master.

SOLUTION: The transmitting process for the health check control message is decentralized to plural computers connected to a network and only one check machine is defined; and only the notice message such as a fault notice is sent to the monitor master. For example, computers 100-1 to 100-5 are connected to the network 101 and the computer 100-1 is used as the monitor master A. To a computer having sent a notice of actuation, the instruction is made that a health check, on a computer having sent a notice of actuation right before it, is started. Then the monitor master A itself makes a health check on the computer having sent a notice of actuation most recently.



LEGAL STATUS

[Date of request for examination] 19.06.1998
[Date of sending the examiner's decision of rejection] 15.04.2003
[Kind of final disposal of application other than the examiner's decision of rejection or application converted registration]
[Date of final disposal for application]
[Patent number]
[Date of registration]
[Number of appeal against examiner's decision of rejection]
[Date of requesting appeal against examiner's decision of rejection]
[Date of extinction of right]

BEST AVAILABLE COPY

(19) 日本国特許庁 (J P)

(12) 公開特許公報 (A)

(11) 特許出願公開番号
特開2000-10949
(P2000-10949A)

(43) 公開日 平成12年1月14日 (2000.1.14)

(51) Int.Cl. ⁷	識別記号	F I	テマコード* (参考)
G 0 6 F 15/177		G 0 6 F 15/16	4 2 0 S 5 B 0 4 2
	11/30		D 5 B 0 4 5
	13/00	3 5 1	3 5 1 N 5 B 0 8 9

審査請求 有 請求項の数12 OL (全 9 頁)

(21) 出願番号 特願平10-173178

(22) 出願日 平成10年6月19日 (1998.6.19)

(71) 出願人 000004237

日本電気株式会社
東京都港区芝五丁目7番1号

(72) 発明者 榊原 健夫

東京都港区芝五丁目7番1号 日本電気株式会社内

(74) 代理人 100080816

弁理士 加藤 朝道

Fターム(参考) 5B042 AA09 CC04 DD09 EA20

5B045 CC09 HH01 JJ01 JJ14

5B089 GA21 GB02 JB19 KA06 KA13

KC11 KC18 KC30 KC47

(54) 【発明の名称】 リレー型分散ヘルスチェック制御システム及び方法

(57) 【要約】

【課題】 ネットワーク上に接続するコンピュータ数が増大しても監視コンピュータの負荷の増大を抑止しネットワーク性能の低下を回避するヘルスチェック制御システム及び方法の提供。

【解決手段】 複数のコンピュータの一つを監視マスタとし、他のコンピュータは起動時に監視マスタに対して起動通知を行い、監視マスタは、起動通知を行った第一のコンピュータに対し監視マスタに向けたヘルスチェックの開始を指示し第一のコンピュータに向けてヘルスチェックを行い、監視マスタは次に起動通知を行った第二のコンピュータに対して第一のコンピュータに向けたヘルスチェックの開始を指示し第二のコンピュータに向けてヘルスチェックを行い、同様に起動通知を行った第nコンピュータに対して第n-1のコンピュータに向けたヘルスチェックの開始を指示し監視マスタは第nのコンピュータに向けてヘルスチェックを行う。

